

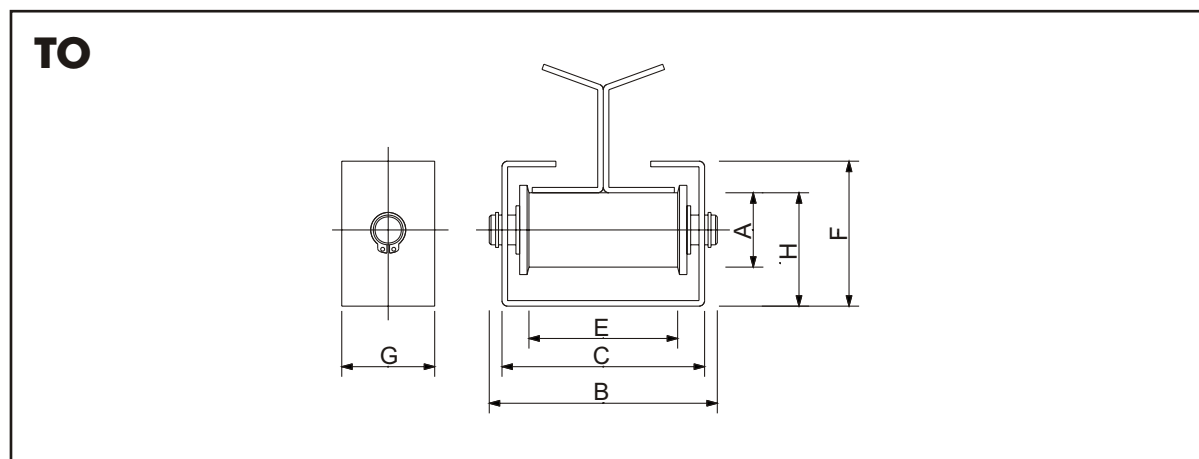
### MATERIALI STANDARD

Rullo: Fe37B o Fe42B UNI7070

Carpenteria: Fe430 B

Perno: ASTM A240 type304

Bronzina sinterizzata



Tipo rullo	Sella max D Ø [m m]	Carico [Kg]	A	B	C	E	F	G	H
			[m m]	[m m]	[m m]	[m m]	[m m]	[m m]	[m m]
500Z	100	500	21	113	100	71	56	40	40
500T	100	500	21	88	82	64	40	35	30
1000Z	250	1000	40	125	113	80	78	50	60
1000T	250	1000	40	108	95	65	77	50	61
1500T	400	1500	52	150	135	102	100	65	76
2000T	500	2000	62	210	190	145	130	90	100